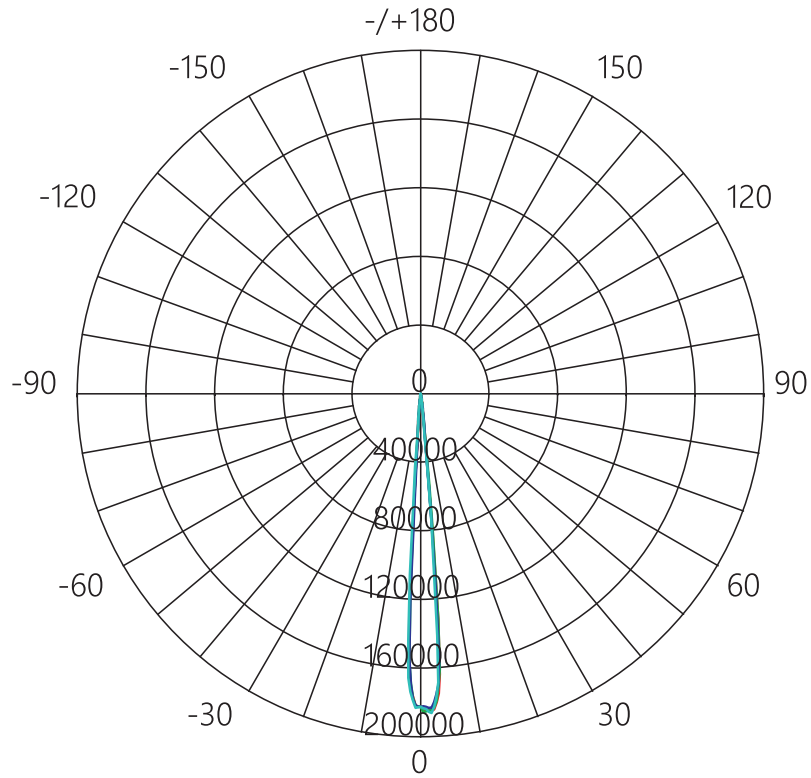


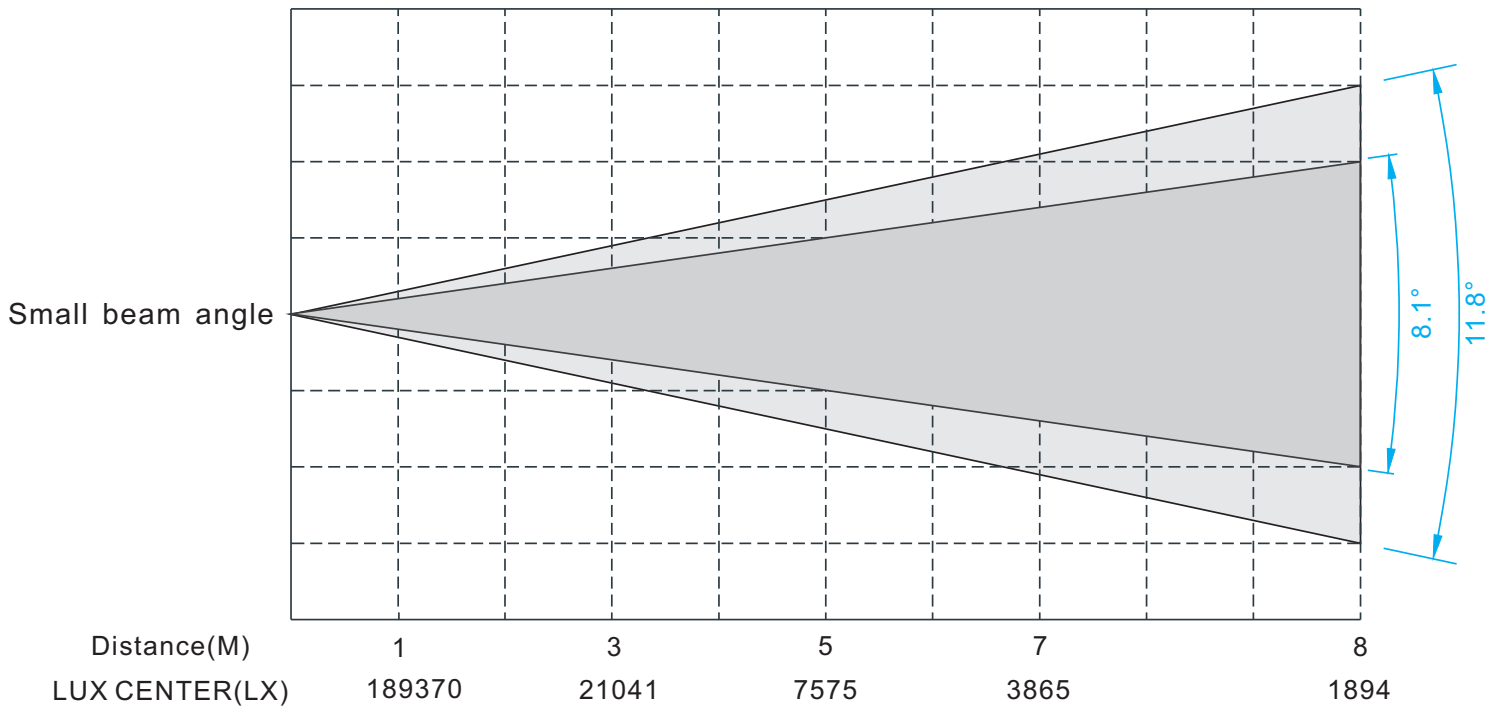
ODIN-Small beam angle

LUMINOUS INTENSITY DISTRIBUTION DIAGRAM



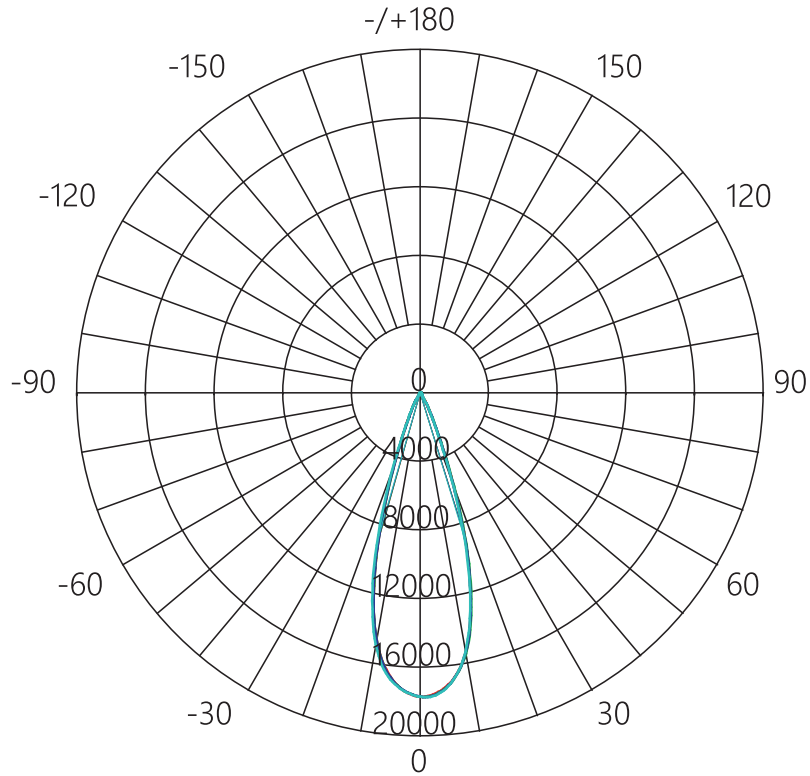
Small beam angle (beam angle): 8.1°
 Small beam angle (field angle): 11.8°

Beam angle(CM)	20.67	62.00	103.34	144.68	206.68
Field angle(CM)	14.21	42.64	71.07	99.49	142.14



ODIN-Widest beam angle

LUMINOUS INTENSITY DISTRIBUTION DIAGRAM



Widest beam angle (beam angle) :33.2°

Widest beam angle (field angle) :50.1°

Beam angle(CM)	93.47	280.42	467.37	747.79	934.74
Field angle(CM)	59.62	178.87	298.11	417.36	596.23

